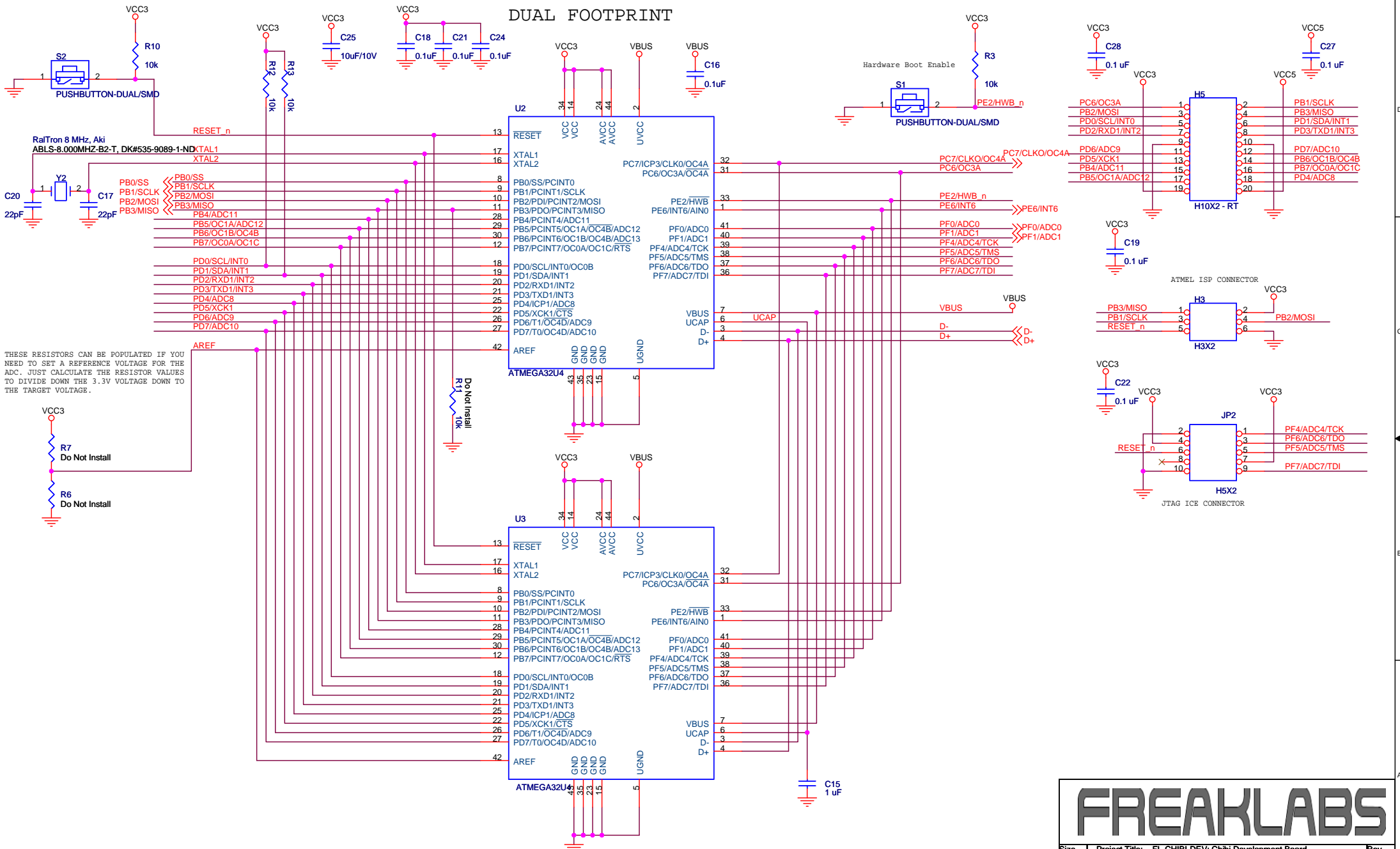
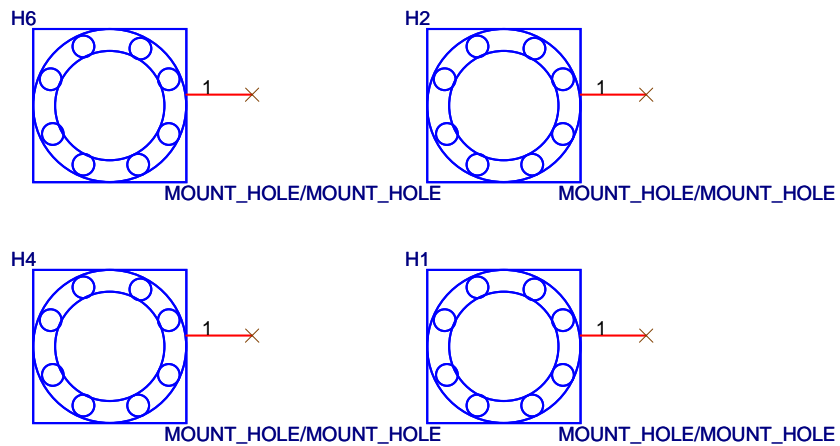


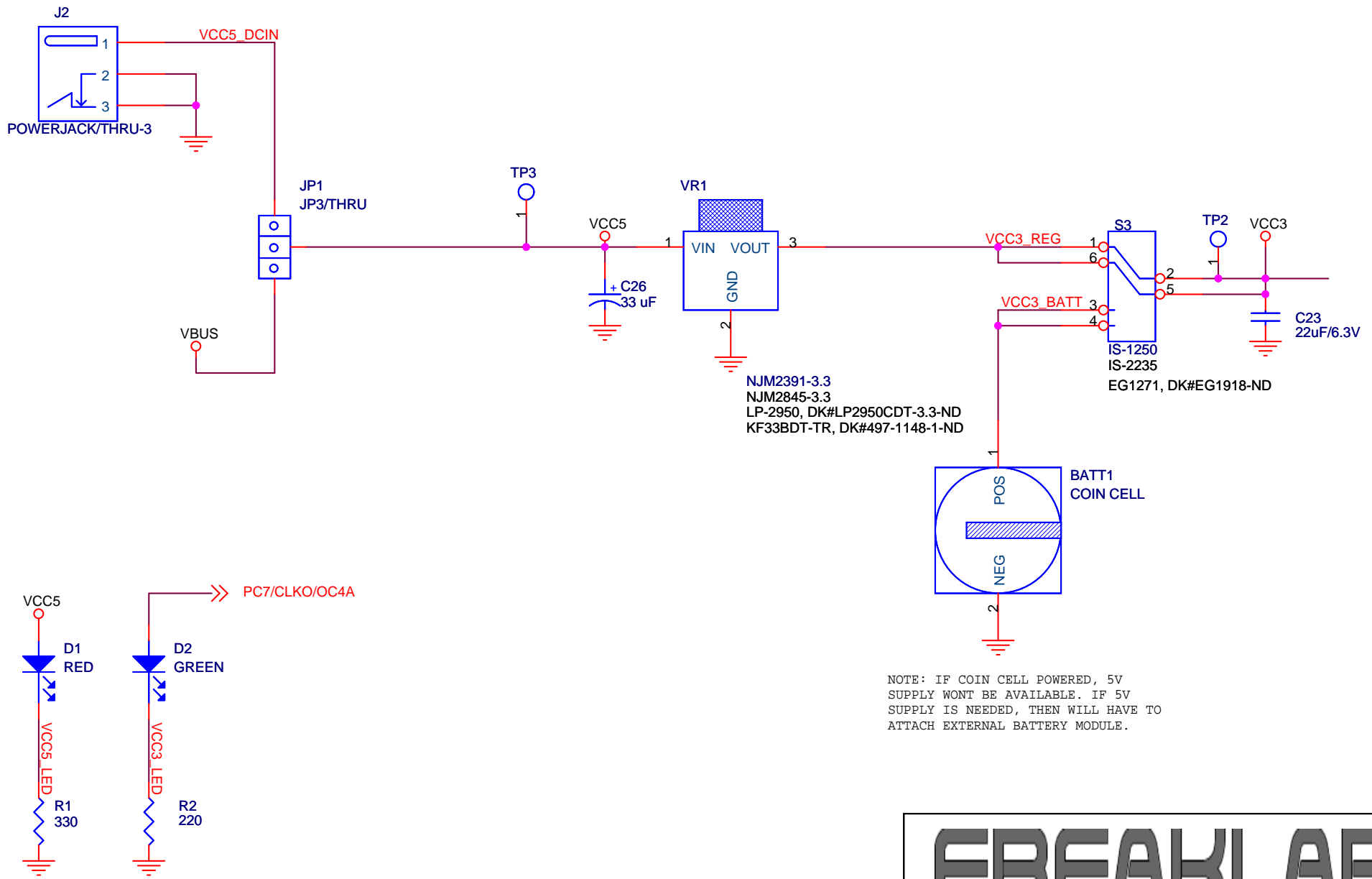
DUAL FOOTPRINT





FREAKLABS

5V DC POWER



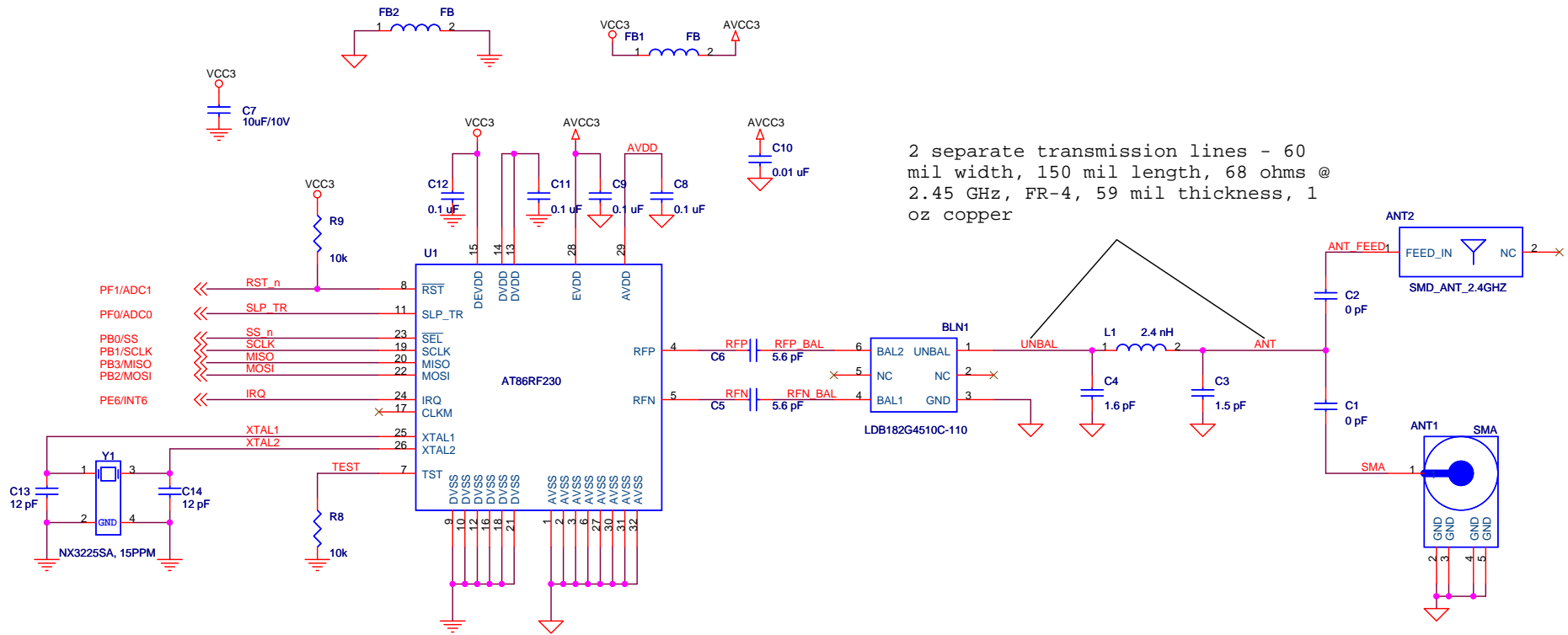
NJM2391-3.3
 NJM2845-3.3
 LP-2950, DK#LP2950CDT-3.3-ND
 KF33BDT-TR, DK#497-1148-1-ND

EG1271, DK#EG1918-ND

NOTE: IF COIN CELL POWERED, 5V SUPPLY WONT BE AVAILABLE. IF 5V SUPPLY IS NEEDED, THEN WILL HAVE TO ATTACH EXTERNAL BATTERY MODULE.



CONNECT AGND TO GND VIA FERRITE.
 CONNECT AVCC TO VCC VIA FERRITE.
 CAN ALSO BE REPLACED WITH 0 OHM
 RESISTOR IF NOT NEEDED

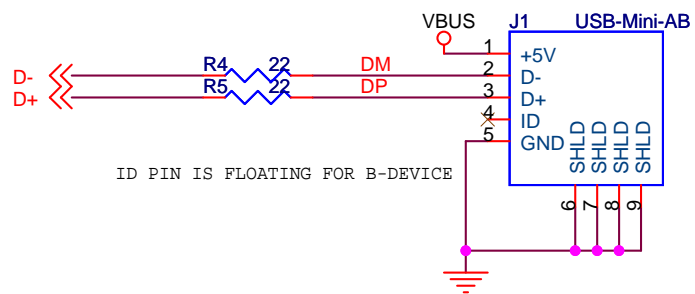


2 separate transmission lines - 60 mil width, 150 mil length, 68 ohms @ 2.45 GHz, FR-4, 59 mil thickness, 1 oz copper

ANALOG AND DIGITAL GROUND WILL BE SEPARATED

FREAKLABS

| | | |
|---------------------------------|--|----------|
| Size B | Project Title: FL-CHIBI-DEV: Chibi Development Board | Rev v1.0 |
| | Page Title: RADIO | |
| Date: Tuesday, October 20, 2009 | Sheet 4 | of 5 |



FREAKLABS