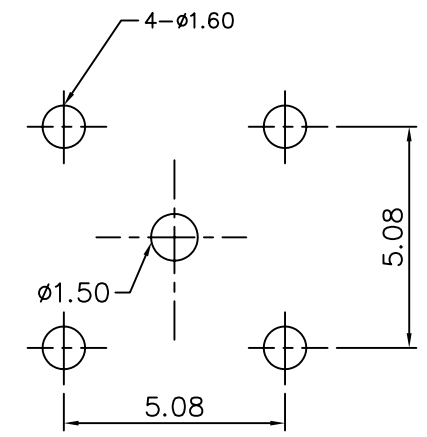
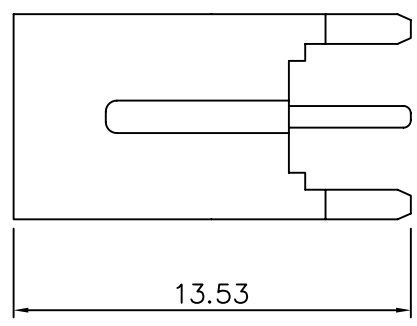
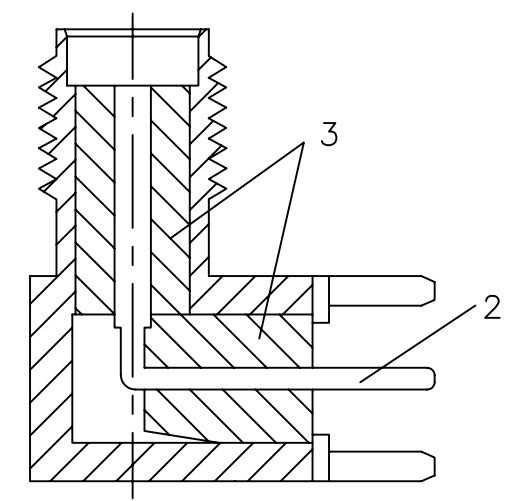
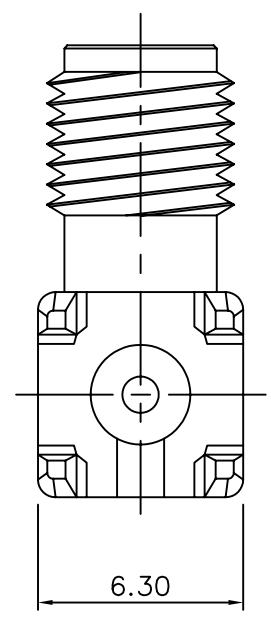
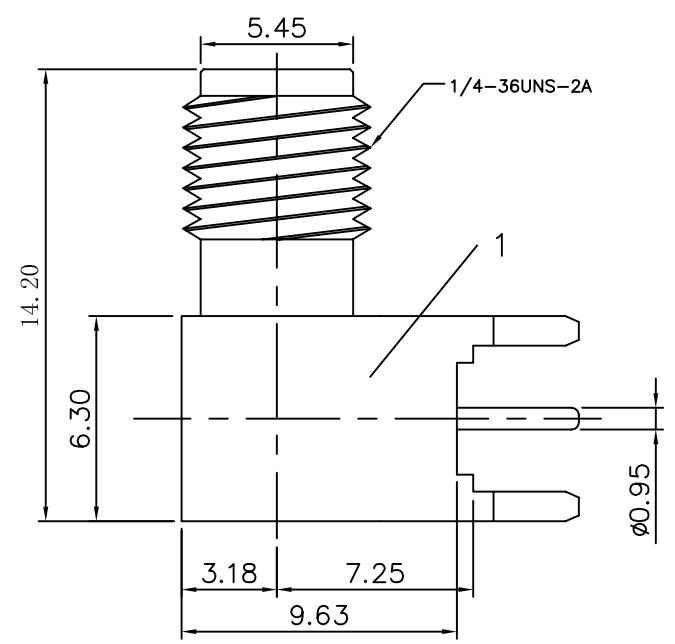


SPECIFICATION
 1.Body:Zinc Alloy Gold Plated
 2.Contact:Beryllium Copper ,30u"Gold Plated
 3.Insulator:Teflon



Recommended PCB Hole

4UCON 元化興業股份有限公司
 4UCON TECHNOLOGY INC.

DRAWING No.		APPROVED BY		UNLESS OTHERWISE SPECIFIED TOLERANCES ARE .X ±0.30 .XX ±0.20 .XXX
07259		MEI		
		CHECKED BY BECKY		
		DRAWING BY HZF		
SCALE	NONE	REV.	A0	UNIT mm

NO.	REV.	REVISIONS	CHK	DATE
△ A0		NEW RELEASE	BECKY	